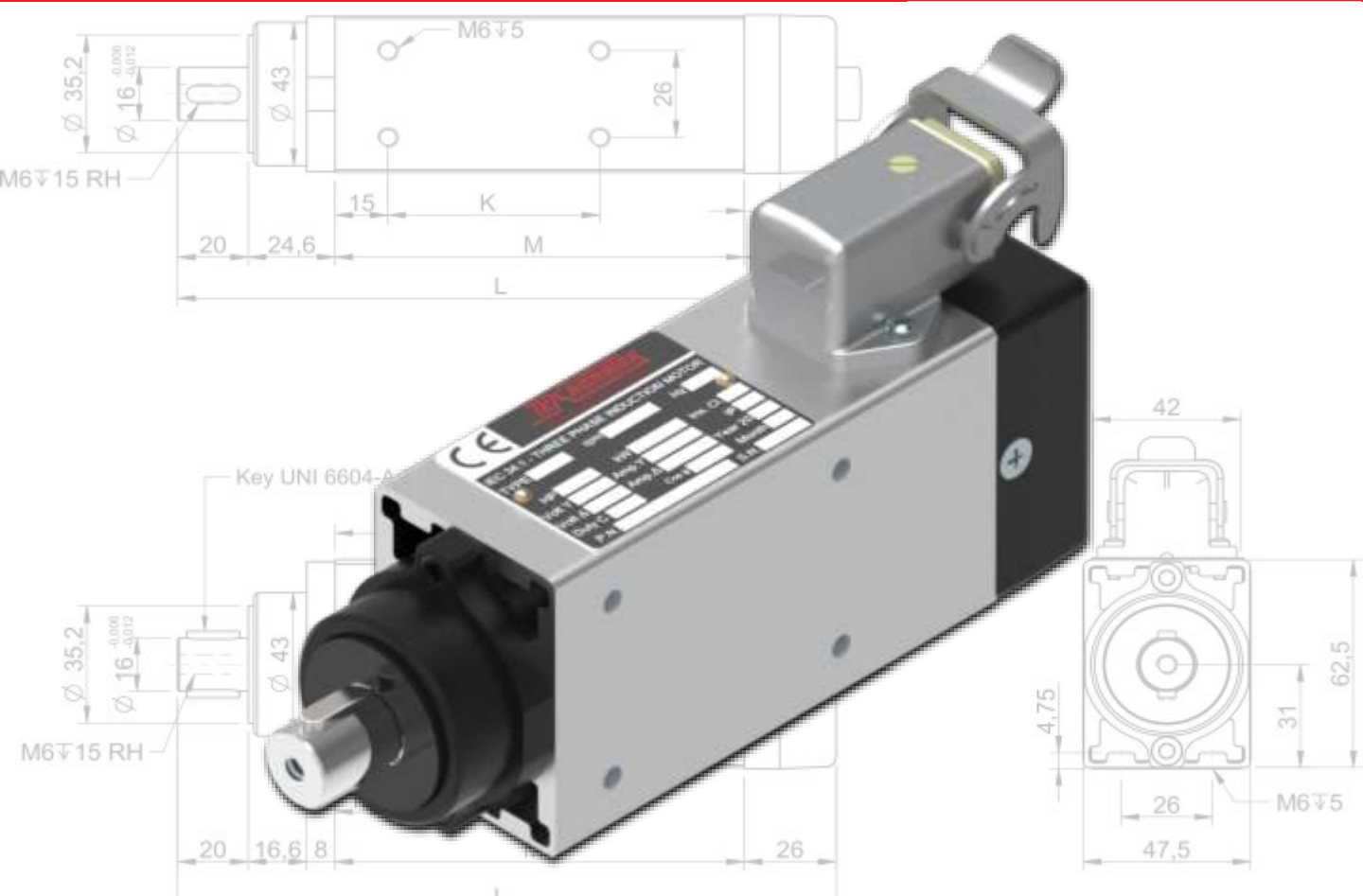


TEKNOMOTOR

HF motor C24/31



TEKNOMOTOR

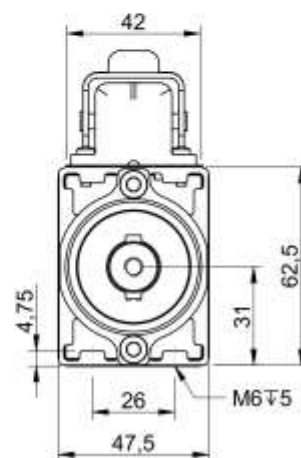
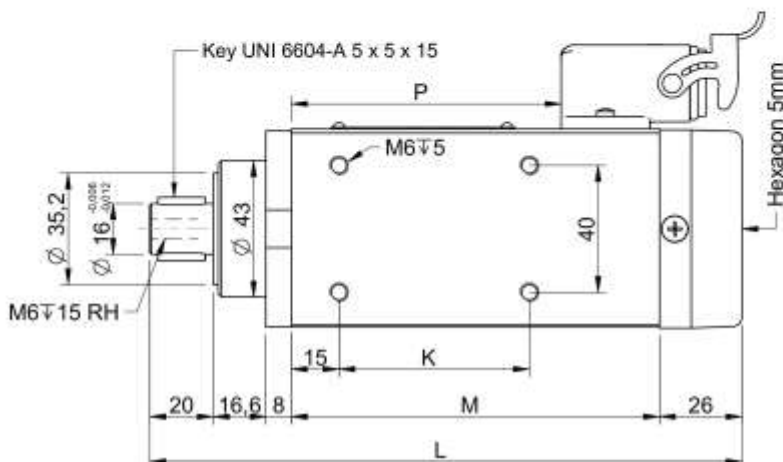
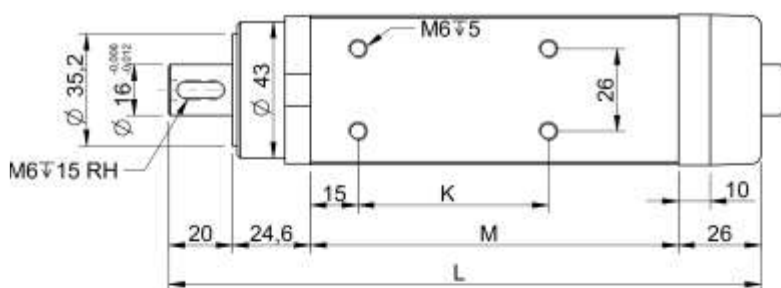
ELECTRIC FEATURES – CARATTERISTICHE ELETTRICHE – ELEKTRISCHE DATEN

TYPE TIPO TYP	POWER POTENZA LEISTUNG	VOLTAGE TENSIONE SPANNUNG	FREQ.	SPEED VELOCITA' DREHZAHL	ABSORB. ASSORB. AMP AUFN	WEIGHT PESO GEW.
	kW	V	Hz	RPM	A	kg
C24/31-A-SB	0.22	220	200	12000	1.3	1.7
C24/31-A-SB	0.22	380	200	12000	0.7	1.7
C24/31-B-SB	0.27	220	200	12000	1.4	1.9
C24/31-B-SB	0.27	380	200	12000	0.8	1.9

For different voltage and frequency, contact our technical office. – Per valori diversi di tensione e frequenza, contattare l'ufficio tecnico.

OVERALL DIMENSIONS – DIMENSIONI INGOMBRO – ABMESSUNGEN

C24/31 – SB – L20



TYPE – TIPO – TYP	L [mm]	P [mm]	K [mm]	M [mm]
C24/31-A-SB-L20	186.6	84	60	116
C24/31-B-SB-L20	201.6	99	60	131