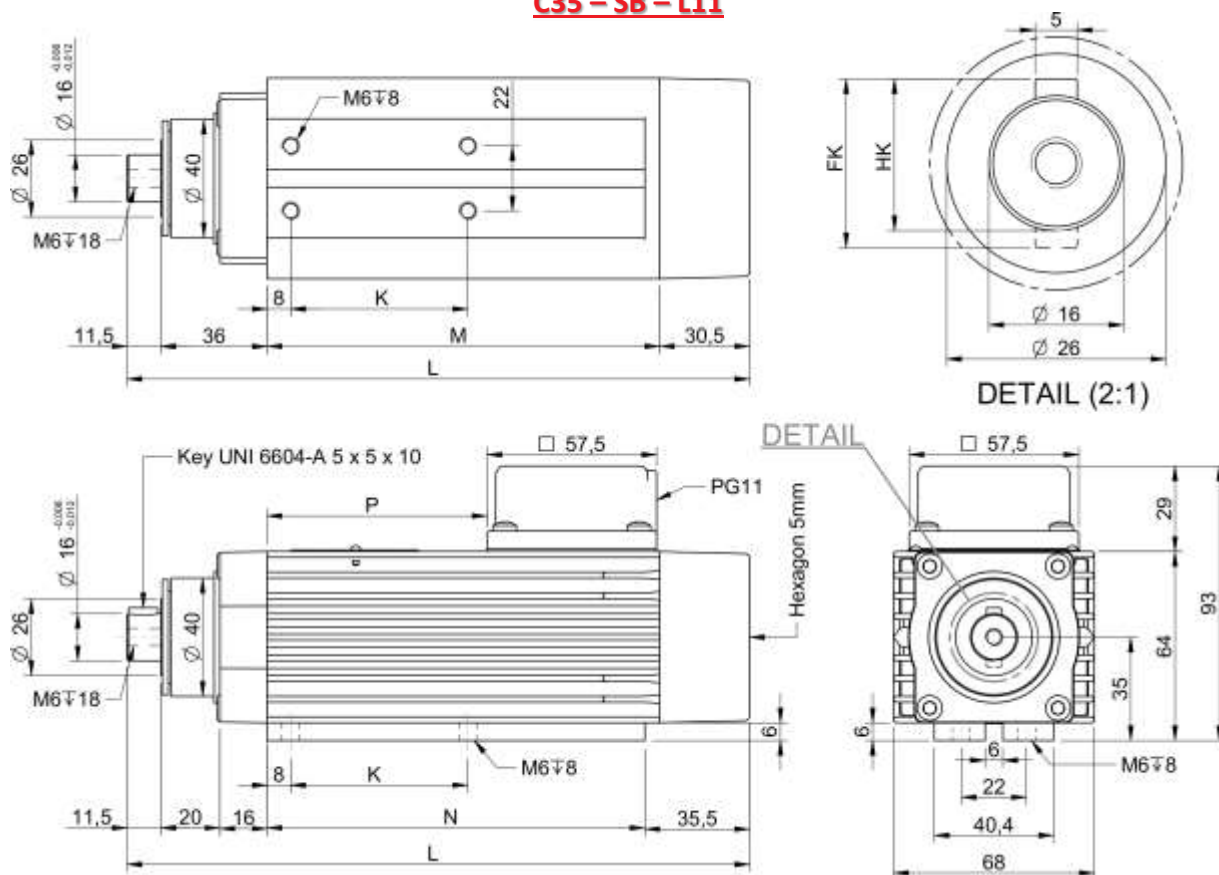




**ELECTRIC FEATURES – CARATTERISTICHE ELETTRICHE – ELEKTRISCHE DATEN**

TYPE TIPO TYP	POWER POTENZA LEISTUNG	VOLTAGE TENSIONE SPANNUNG	FREQ.	SPEED VELOCITA' DREHZAHL	ABSORB. ASSORB. AMP AUFN	WEIGHT PESO GEW.
	kW	V	Hz	RPM	A	kg
C35 – A – SB	0.22	220 / 380	200	12000	1.6 / 0.9	2.0
C35 – B – SB	0.37	220 / 380	200	12000	2.1 / 1.2	2.5
C35 – C – SB	0.50	220 / 380	200	12000	2.7 / 1.5	2.8

For different voltage and frequency, contact our technical office. – Per valori diversi di tensione e frequenza, contattare l'ufficio tecnico.

**OVERALL DIMENSIONS – DIMENSIONI INGOMBRO – ABMESSUNGEN****C35 – SB – L11**

TYPE – TIPO – TYP	L [mm]	P [mm]	K [mm]	M [mm]	N [mm]	HK [mm]	FK [mm]
C35-A-SB-L11	186	49.5	40	108	103	18	19
C35-B-SB-L11	211	74.5	60	133	128		
C35-C-SB-L11	226	89.5	60	148	143		