

TEKNOMOTOR

HF motor C55



TEKNOMOTOR

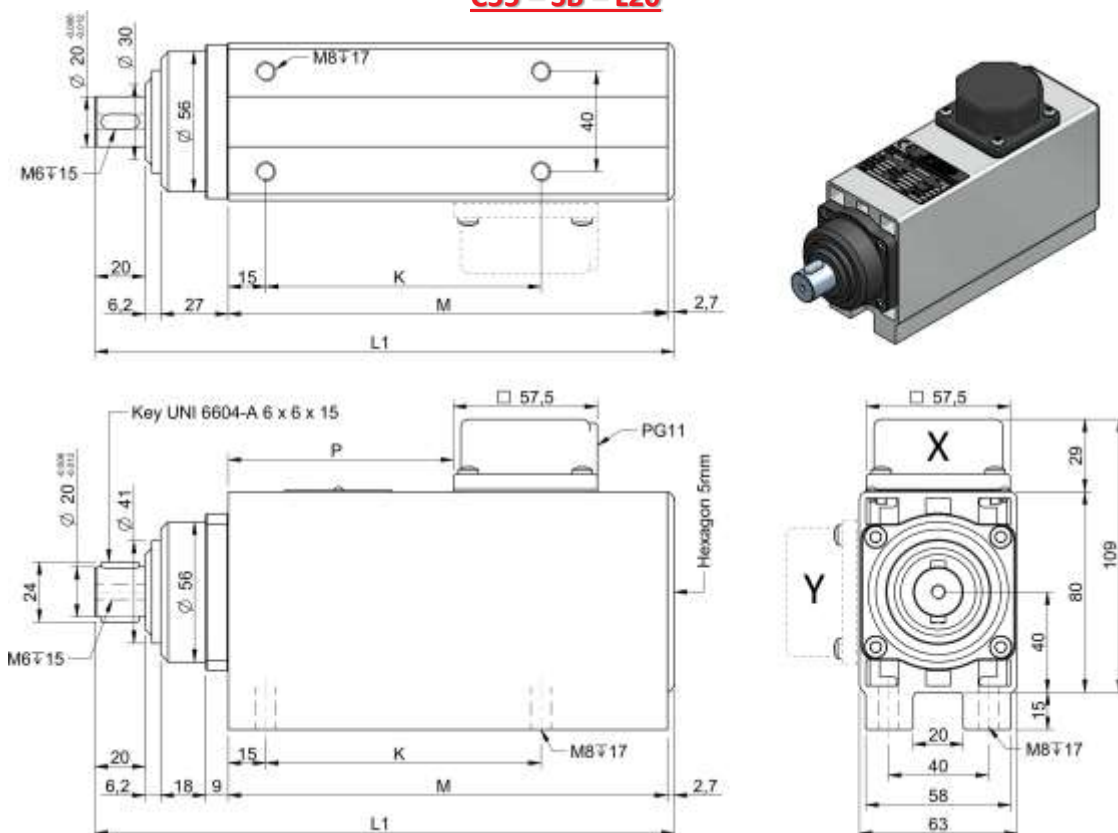
ELECTRIC FEATURES – CARATTERISTICHE ELETTRICHE – ELEKTRISCHE DATEN

TYPE TIPO TYP	POWER POTENZA LEISTUNG	VOLTAGE TENSIONE SPANNUNG	FREQ.	SPEED VELOCITA' DREHZAHL	ABSORB. ASSORB. AMP AUFN	WEIGHT PESO GEW.
	kW	V	Hz	RPM	A	kg
C55 – A – SB	0.22	220 / 380	200	12000	1.6 / 0.9	2.9
C55 – B – SB	0.37	220 / 380	200	12000	2.1 / 1.2	3.3
C55 – C – SB	0.55	220 / 380	200	12000	2.7 / 1.5	3.6
C55 – D – SB	0.75	220 / 380	200	12000	3.1 / 1.8	4.0

For different voltage and frequency, contact our technical office. – Per valori diversi di tensione e frequenza, contattare l'ufficio tecnico.

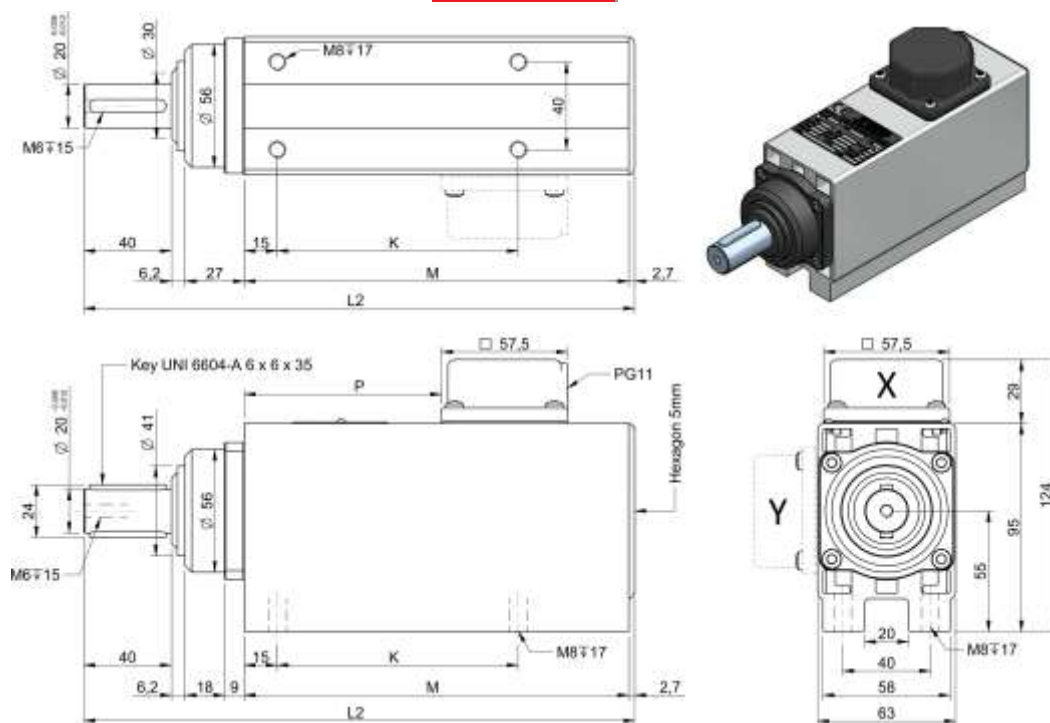
OVERALL DIMENSIONS – DIMENSIONI INGOMBRO – ABMESSUNGEN

C55 – SB – L20



TYPE – TIPO – TYP	L1 [mm]	P [mm]	K [mm]	M [mm]
C55-A-SB-L20	206.4	65	90	150.5
C55-B-SB-L20	231.4	90	110	175.5
C55-C-SB-L20	251.4	110	130	195.5
C55-D-SB-L20	261.4	120	150	205.5

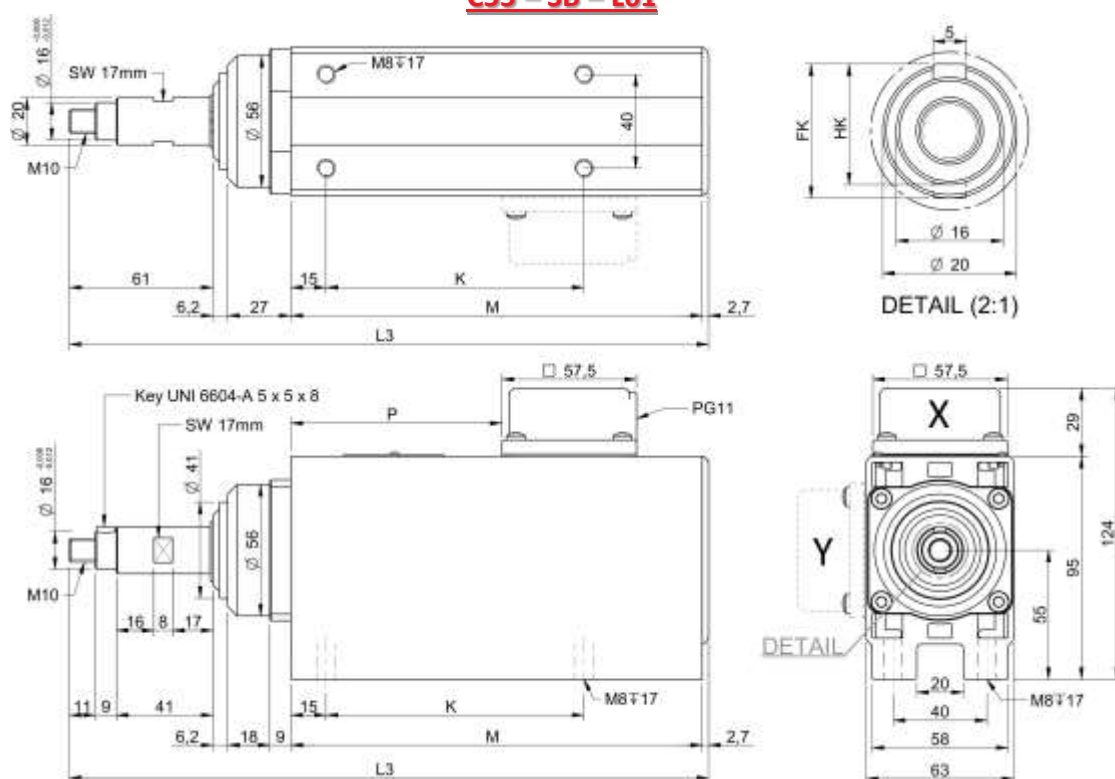
C55-SB-L40



TYPE – TIPO – TYP	L2 [mm]	P [mm]	K [mm]	M [mm]
C55-A-SB-L40	226.4	65	90	150.5
C55-B-SB-L40	251.4	90	110	175.5
C55-C-SB-L40	271.4	110	130	195.5
C55-D-SB-L40	291.4	120	150	205.5



C55 – SB – L61



TYPE – TIPO – TYP	L3 [mm]	P [mm]	K [mm]	M [mm]	HK [mm]	FK [mm]
C55-A-SB-L61	247.7	65	90	150.5	18	19
C55-B-SB-L61	272.7	90	110	175.5		
C55-C-SB-L61	292.7	110	130	195.5		
C55-D-SB-L61	312.7	120	150	205.5		

