

压力和温度记录仪APT-APM系列

概述

These instruments are designed for cyclical process records or process controls in the petrochemical industry.

These series are studied for withstanding to the most adverse process conditions due to the aggressiveness of the measured fluid and to the environment.

They are also used for pressure and temperature tests in gas pipelines and aqueducts .

Simultaneous records up to 3 pens.

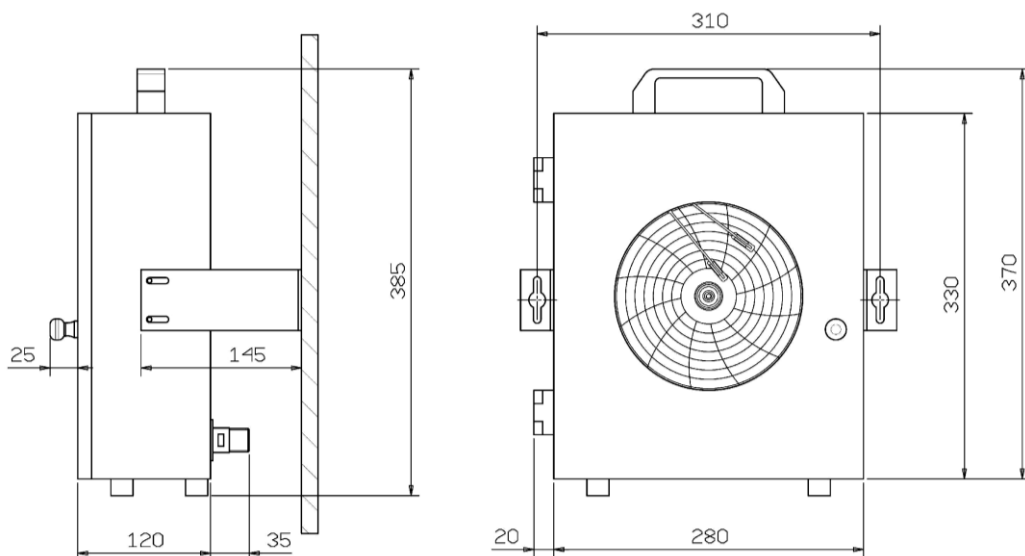


安德鲁信重工江苏有限公司

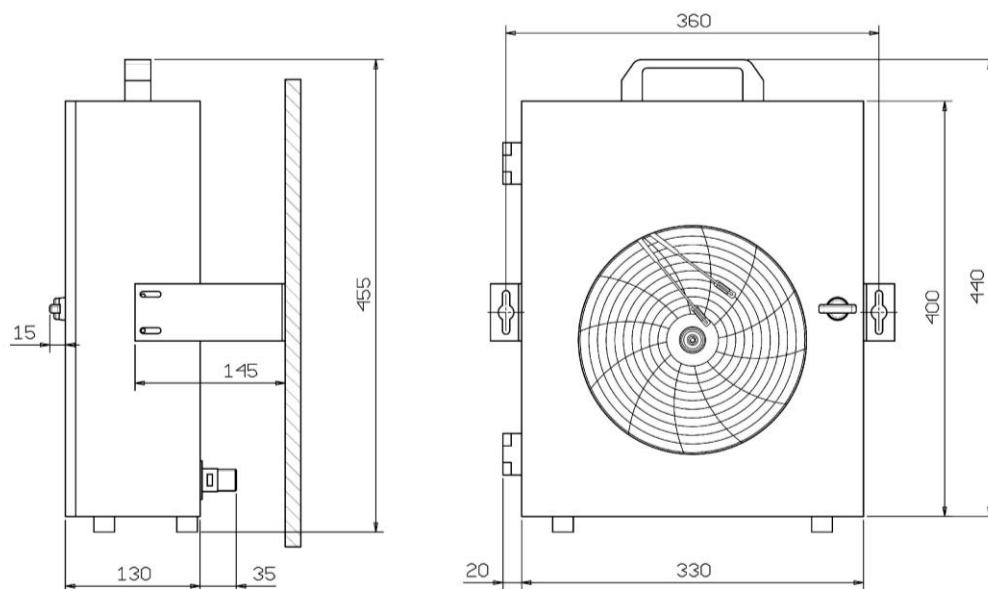
地址：江苏省江阴市澄江东路3号 电话：0510-86199978 86199979 传真：0510-86199980
网址：www.andrewen.com www.andrewen.net 邮箱：info@andrewen

规格

记录仪 APT/ 200 disc Ø 200 mm



记录仪 APT/ 250 disc Ø 254 mm



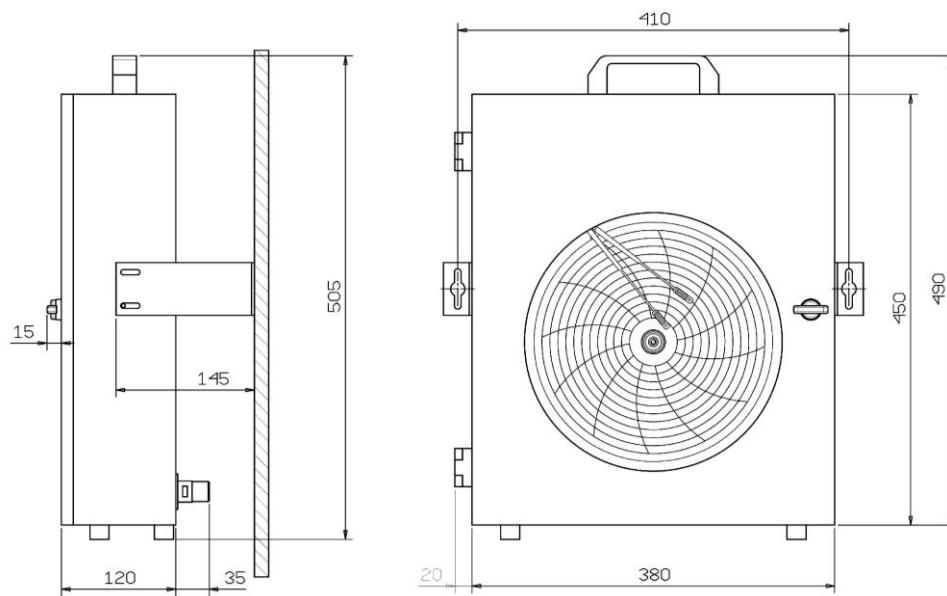
单位: 毫米



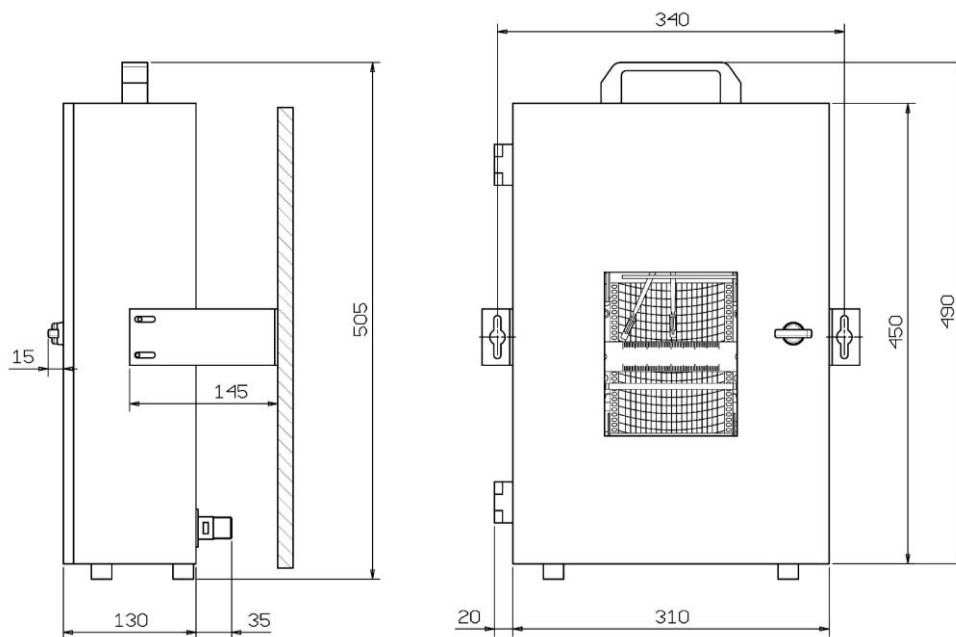
安德鲁信重工江苏有限公司

地址: 江苏省江阴市澄江东路3号 电话: 0510-86199978 86199979 传真: 0510-86199980
网址: www.andrewen.com www.andrewen.net 邮箱: info@andrewen

记录仪 APT/ 300 disc Ø 300 mm



记录仪 APT/ M roll 100 mm - 40 m length



单位：毫米



安德鲁信重工江苏有限公司

地址：江苏省江阴市澄江东路3号 电话：0510-86199978 86199979 传真：0510-86199980
网址：www.andrewen.com www.andrewen.net 邮箱：info@andrewen

CONSTRUCTION FEATURES

TEMPERATURE

测量元件 : 热处理博登弹簧管
毛细管类型 : AISI 316 st.st., availability of protective coating AISI 304 st.st.
温包 : 316 st.st. Ø std. 11 mm; sensing element 100 mm
连接方式 : Compression gland 1/2 BSP M. AISI 316 st.st., sliding on the capillary, available 1/2 NPT on request

压力

测量元件 : 博登弹簧 AISI 316 st.st. 或磷青铜波纹管
压力刻度 : 压力测量范围从 60 mBar 至 1600 Bar, available scales in PSI
工艺连接 : bottom or back 1/2 BSP M., available NPT - 1/2 BSP F connection.
Wetted parts in AISI 316 st.st.

技术参数

精度 : 全量程 +/- 1%
环境温度 : -20°C + 50°C
圆形图表记录仪发条:
Spring-loaded mechanical, single or double speedy, battery with quartz movement.
Available also electric
圆形图表记录仪图表:
Disc of 200 mm (8") - 254 mm (10") - 300 mm (12") with linear decisions
compatible with the most Italian producers
辊式图表记录仪发条:
Spring-loaded mechanical, electric and battery . Available also in ATEX version
辊式图表记录仪图表:
Chart speed 20 mm/h or 2 mm/h, linear scale, chart reading 100 mm.
表玻璃:
Plexiglass 3 mm thickness



安德鲁信重工江苏有限公司

地址: 江苏省江阴市澄江东路3号 电话: 0510-86199978 86199979 传真: 0510-86199980
网址: www.andrewen.com www.andrewen.net 邮箱: info@andrewen

书写系统：

Synthetic fibre pen ink-filled easy to replace, autonomous writing of 150 m

表壳：

Varnished-kiln aluminium, AISI 304 st.st., high weatherproof and industrial smokes-resistant equipped with feet and handles to facilitate the transport. Lock key on request (not available for APT/200) .

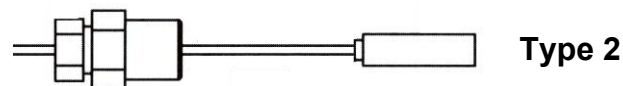
安装：

Table mounting with back connection, flush mounting to wall with brackets included. Available bottom connection on request.

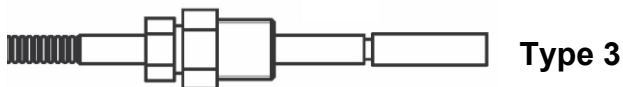
温包类型



Bare bulb fitted directly to the process.



Bulb with compression connection sliding on the capillary.



Bulb with compression connection sliding on the rigid shank

It's necessary a thermowell connection to the systems with pressures exceeding 20 BAR.



安德鲁信重工江苏有限公司

地址：江苏省江阴市澄江东路3号 电话：0510-86199978 86199979 传真：0510-86199980
网址：www.andrewen.com www.andrewen.net 邮箱：info@andrewen