

惰性气体膨胀温度计，不锈钢外壳 DN 60

概述

Inert gas dilatation thermometers (Nitrogen) reliable and accurate, realised for control and regulation process.

For applications in the food, pharmaceutical and chemical industries, the operation consists in a bulb, capillary and a Bourdon spring. All these components are combined to form a close circuit. (thermometric element).

The temperature variations change the inner pressure of the bulb with the resulting deflection of the Bourdon spring that by a link, transfers the movement to the mechanical linkage and as a consequence also to the pointer.



地址：江苏省江阴市澄江东路3号
网址：www.andrewen.com

电话：0510-86199978 86199979
www.andrewen.net

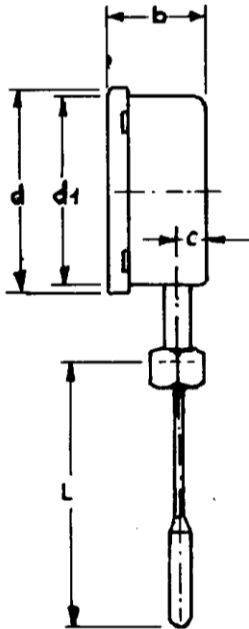
安德鲁信重工江苏有限公司

传真：0510-86199980
邮箱：info@andrewen

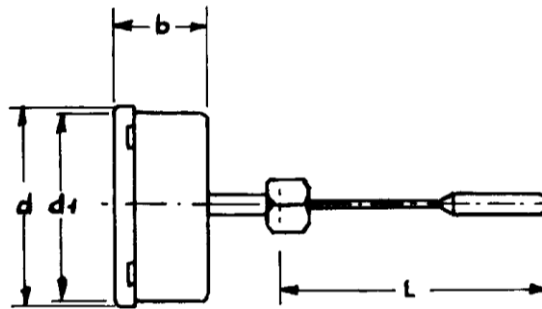
单位：毫米

DIRECT MOUNTING

TYPE A



TYPE B



Standard connection 1/2 BSP

TYPE	b	c	d	d1	Std. Length
A	41	15	69	61	100 mm
B	41	X	69	61	100 mm



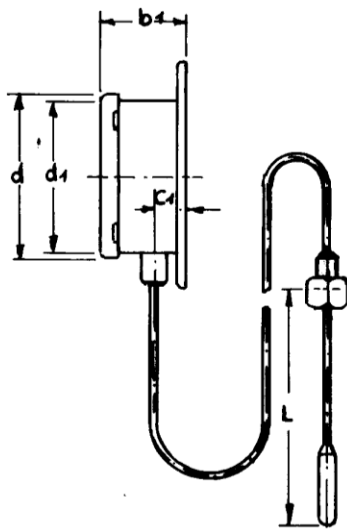
安德鲁信重工江苏有限公司

地址：江苏省江阴市澄江东路3号 电话：0510-86199978 86199979 传真：0510-86199980
网址：www.andrewen.com www.andrewen.net 邮箱：info@andrewen

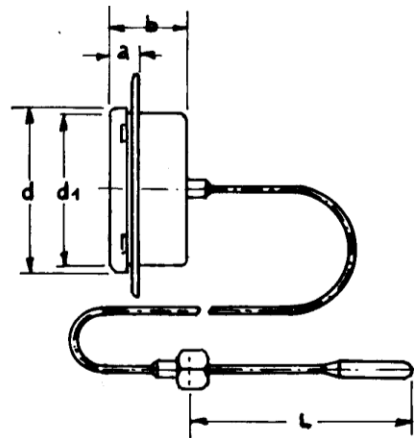
单位：毫米

REMOTE CONNECTION

TYPE A

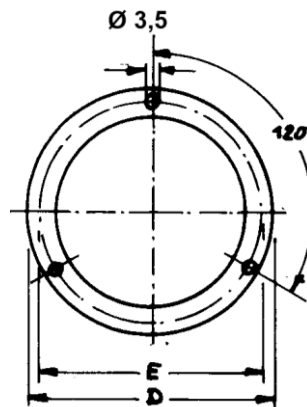
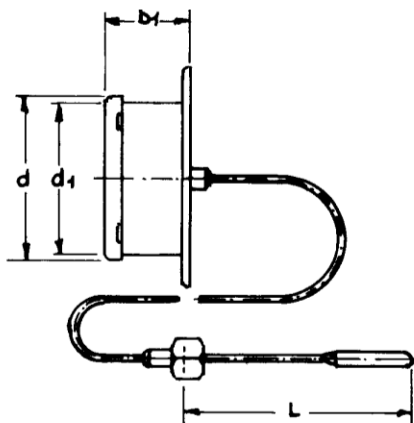


TYPE B



Also available with U-bracket for panel mounting

TYPE C



Standard connection 1/2 BSP

TYPE	b	b1	c1	d	d1	D	E	Std. Length
A	X	44	15	69	61	85	75	100 mm
B	41	X	15	69	61	85	75	100 mm
C	X	44	15	69	61	85	75	100 mm



安德鲁信重工江苏有限公司

地址：江苏省江阴市澄江东路3号 电话：0510-86199978 86199979 传真：0510-86199980
 网址：www.andrewen.com www.andrewen.net 邮箱：info@andrewen

技术参数

适用标准: EN 13190

公称尺寸(mm): 80, 100, 150, 200

范围: from -200 to 600°C

流体温度 Cl. 2 according to EN 13190

环境温度: -20+60°C 流体温度: max 60°C

温度超限: 20% up to 400°C – not suitable for 500-600°C

保护等级: IP 54 according to IEC 529 - IP65 filled

表壳: : 304 st.st.

密封圈: 304 st.st.

刻度盘: white aluminium, black markings.

指针: black aluminium,

表玻璃: glass 3 mm thickness

垫圈: EPDM

测量元件: spring Bourdon thermally treated

传感器元件: Nitrogen

毛细管: Steel –Stainless steel

温包: Std. Ø 9 , sensing part mm 65

可选项

刻度盘 with double scale °C/°F

Spiral capillary armoured coating Ø 7 304 st.st. – galvanized steel - PVC

Brass or AISI 316 st.st. thermowells, different lengths on request, connections 3/8

BSP, 1/2 BSP - 3/4 BSP

Gliceryne filled or silicone oil



安德鲁信重工江苏有限公司

地址: 江苏省江阴市澄江东路3号 电话: 0510-86199978 86199979 传真: 0510-86199980
网址: www.andrewen.com www.andrewen.net 邮箱: info@andrewen

MAX PERMISSIBLE ERRORS ACCORDING TO EN 13190
Suitable for bimetallic and dilatation thermometers

SCALE RANGE	测量范围	ERROR LIMIT CLASS 1
0 + 50	10...40	2
0 + 60	10...50	2
-10 + 40	-5...35	2
-20 + 40	-10...30	2
- 40 + 40	-30...30	2
-40 + 80	-30...70	4
-50 + 50	-40...40	2
- 10 + 50	0...40	2
-20 +50	-10...40	2
-10 + 60	0...50	2
-20 +60	-10...50	2
-20 +80	-10...70	2
0 +100	10...90	2
-20 +100	-10...90	4
0 +120	10...110	4
-10 +120	0...110	4
-20 +120	-10...110	4
0 +150	10...130	4
0+160	10...140	4
-20 +150	-10...130	4
0 +200	20...180	4
0+250	30...220	5
0 + 300	30...270	10
0 +400	50...350	10
0 + 500	50...450	10
0 + 600	100...500	15
+50 +650	150...550	15

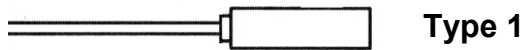
The error limit is stated on measuring scale and not on the range scale



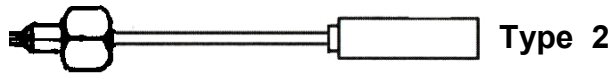
安德鲁信重工江苏有限公司

地址：江苏省江阴市澄江东路3号 电话：0510-86199978 86199979 传真：0510-86199980
 网址：www.andrewen.com www.andrewen.net 邮箱：info@andrewen

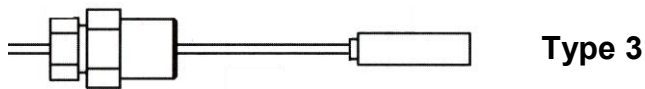
AVAILABLE CONNECTIONS



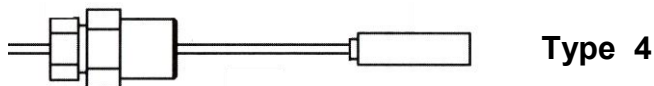
Bare bulb fitted directly to the process.



Bulb with female swivel nut connection – fixed length



Bulb with male swivel nut connection – fixed length



Bulb with male compression connection sliding on the capillary



Bulb with compression connection sliding on the rigid shank.

It's necessary a thermowell connection to the systems with pressure exceeding 20 BAR.



安德鲁信重工江苏有限公司

地址：江苏省江阴市澄江东路3号 电话：0510-86199978 86199979 传真：0510-86199980
网址：www.andrewen.com www.andrewen.net 邮箱：info@andrewen