

带开关触点的压力表，不锈钢版 DN 80/100/150/200

概述

Gauge with an excellent long service life. They are suitable for chemical/ petrochemical industries, power plants and plant construction.

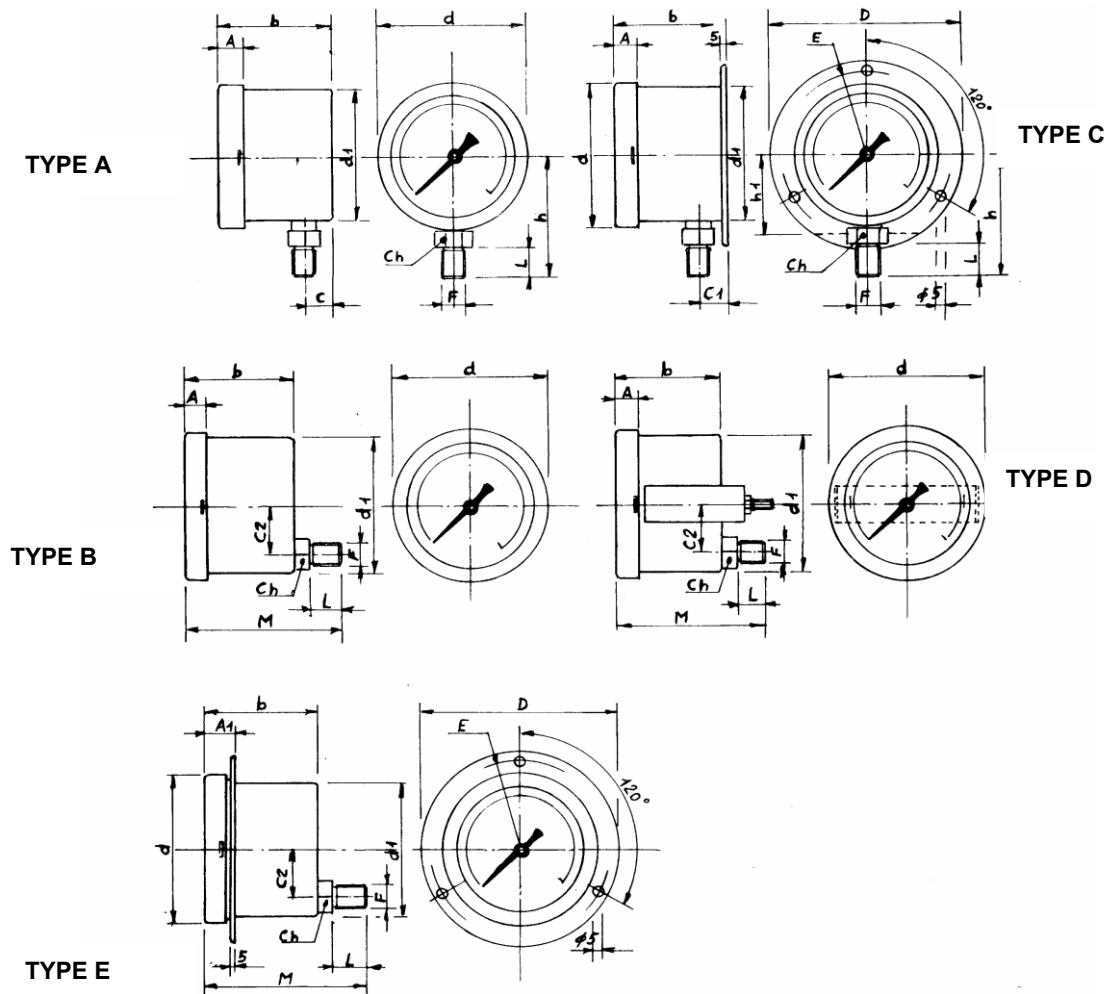


安德鲁信重工江苏有限公司

地址：江苏省江阴市澄江东路3号 电话：0510-86199978 86199979 传真：0510-86199980
网址：www.andrewen.com www.andrewen.net 邮箱：info@andrewen

单位：毫米

DN 80/100/150/200



DN	TYPE	F	L	A	A1	b1	b2	b3	b4	d	d1	D	E	h	ch
80	AC	1/4 - 3/8 - 1/2	20	14		71	-	-	-	90	79	110	94	85	22
80	BDE	1/4 - 3/8 - 1/2	20	14	21	71	-	-	-	90	79	110	94	-	22

DN	TYPE	F	L	A	A1	b1	b2	b3	b4	d	d1	D	E	h	ch
100	AC	1/4 - 3/8 - 1/2	20	14	-	71	80	90	100	113	99	132	116	95	22
100	BDE	1/4 - 3/8 - 1/2	20	14	23	71	80	90	100	113	99	132	116	-	22

DN	TYPE	F	L	A	A1	b1	b2	b3	b4	d	d1	D	E	h	ch
150	AC	1/4 - 3/8 - 1/2	20	18	-	71	80	90	100	166	148	195,5	178	120	22
150	BDE	1/4 - 3/8 - 1/2	20	18	24	71	80	90	100	166	148	195,5	178	-	22

DN	TYPE	F	L	A	A1	b1	b2	b3	b4	d	d1	D	E	h	ch
200	AC	1/4 - 3/8 - 1/2	20	20	-	71	80	90	100	218	199,5	243	220	145	22
200	BDE	1/4 - 3/8 - 1/2	20	20	34	71	80	90	100	218	199,5	243	220	-	22

b1	Dimensions with simple contact
b2	Dimensions with double connecting and disconnecting
b3	Dimensions with triple connecting –single change- over and inductive
b4	Dimensions with triple disconnecting – double change-over and quadruple



安德鲁信重工江苏有限公司

地址：江苏省江阴市澄江东路3号 电话：0510-86199978 86199979 传真：0510-86199980
 网址：www.andrewen.com www.andrewen.net 邮箱：info@andrewen

技术参数

适用标准 : EN 837-1

公称尺寸(mm): 80, 100, 150, 200

范围: from -1 bar up to 600 bar as a pressure

Accuracy (*) : 1,6

环境温度: -20+60°C

工艺温度: max 60°C

操作压力: : static 75% of the full scale value

工作压力: not suitable

保护等级: IP 54 according to IEC 529 - IP 65 with filling

表壳: : stainless steel

密封圈: stainless steel, bayonet lock

刻度盘: white aluminium , black markings

指针: not resettable, black aluminium

表玻璃: glass 3 mm thickness

表玻璃垫: EPDM

传感器元件: Bourdon spring AISI 316 st.st.

动作: stainless steel

支架: AISI 316 st.st. – Thread 1/2 – 3/8 – 1/4 BSP

NPT on request

Electrical connections: electric cable section 0.75 mm² with sheath secured with cable gland. Junction box IP 65 at 3 or 6 poles

Electrical contacts : low-action or snap-action, single- double – triple - quadruple – change-over single or double

Contact specification: voltage max 250 V

load max.10 W- 18 VA / 30W -

50VA 温度漂移 :±0,4% /10°C of the full scale value

(taking 20°C as the datum temperature)

(*)The addition of mechanical electric contacts affects the accuracy of instruments such that 1% becomes 1,5%, (add the 50% of the accuracy of the instrument).



安德鲁信重工江苏有限公司

地址: 江苏省江阴市澄江东路3号 电话: 0510-86199978 86199979 传真: 0510-86199980
网址: www.andrewen.com www.andrewen.net 邮箱: info@andrewen

可选项

Electrical contact adjustment : from external by adjusting knob placed on the window (plexiglass), also watertight.

Restrictor: Ø 4 applicable to the pressure connection in order to reduce the process fluid entry speed into the instrument.

Special scales : available with different pressure scales and double scales

Filling liquid: Glycerine 98 % - Silicone oil

The 技术参数, wiring and connection schemes are visible on the “Electrical contact” table.



安德鲁信重工江苏有限公司

地址: 江苏省江阴市澄江东路3号 电话: 0510-86199978 86199979 传真: 0510-86199980
网址: www.andrewen.com www.andrewen.net 邮箱: info@andrewen