

## 膜片密封类型 04.MIA e 04.MIB

### 概述

These instruments are designed to isolate the sensing element of pressure gauges from process fluids which may be corrosive, viscous, sediment and from the other applications that require the reduced dimension of the seal and the gauge, the removal speedy and the instruments of  $\varnothing 63$ .



地址：江苏省江阴市澄江东路3号  
网址：www.andrewen.com

电话：0510-86199978 86199979  
www.andrewen.net

安德鲁信重工江苏有限公司

传真：0510-86199980  
邮箱：info@andrewen

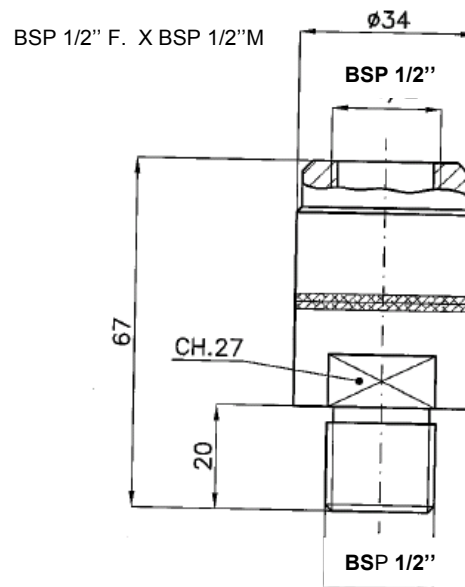
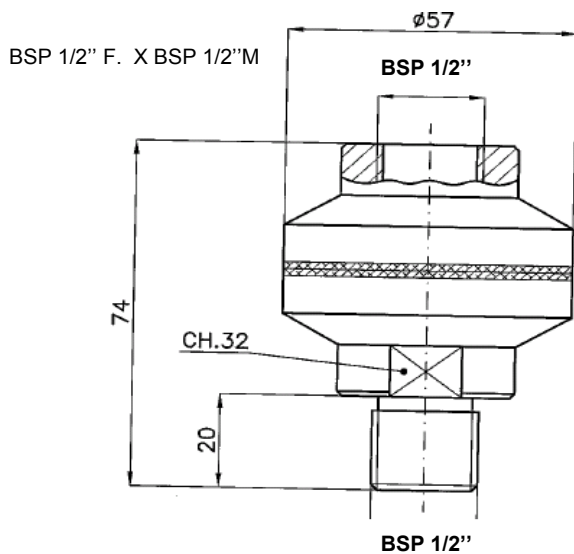
# DIMENSIONS

## Range Scale Table

DN INSTRUMENTS	04.MIA	04.MIB
63	0...100/ 0...400	-1...0/ 0...60 BAR
80		-1...0/ 0...60 BAR
100		-1...0/ 0...60 BAR
150		0..1,6/ 0...60 BAR

**MIB**

**MIA**



## 技术参数

范围: MIB from -1 .....0 / 0..... 60 BAR  
MIA from 0 ....100 / 0 ..... 400 BAR

工艺温度: - 45 +150 °C

工作压力: from PN 60 to PN 400 as per table

精度: (add to instrument accuracy) ± 1% solo only for direct mounting 仪表连接: AISI 316 thread 1/2 BSP F.

隔膜: : AISI 316 L st.st. welded

工艺连接: AISI 316 st.st. thread 1/2 BSP M.

Filling liquid : silicone oil



安德鲁信重工江苏有限公司

地址: 江苏省江阴市澄江东路3号 电话: 0510-86199978 86199979 传真: 0510-86199980  
网址: www.andrewen.com www.andrewen.net 邮箱: info@andrewen