

惰性气体膨胀温度计，带触点

概述

Inert gas dilatation thermometers (Nitrogen) reliable and accurate, realised for control and regulation process.

For applications in the food, pharmaceutical and chemical industries, the operation consists in a bulb, capillary and a Bourdon spring. All these components are combined to form a close circuit. (thermometric element).

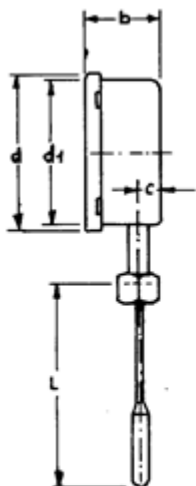
The temperature variations change the inner pressure of the bulb with the resulting deflection of the Bourdon spring that by a link, transfers the movement to the mechanical linkage and as a consequence also to the pointer.



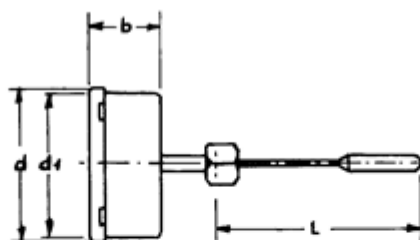
安德鲁信重工江苏有限公司

地址：江苏省江阴市澄江东路3号 电话：0510-86199978 86199979 传真：0510-86199980
网址：www.andrewen.com www.andrewen.net 邮箱：info@andrewen

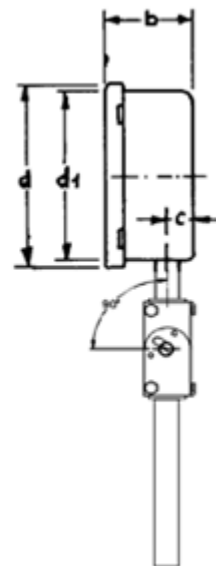
TYPE A



TYPE B



TYPE E



Standard connection 1/2 BSP

TYPE	b1	b2	b3	b4	c	d	d1	L Std.
	71	X	X	X	15	90	79	100
DN 100	71	80	90	100	15	113	99	100
DN 150	71	80	90	100	15	166	148	100
DN 200	71	80	90	100	15	218	200	100

b1= Dimensions with simple contact

b2= Dimensions with double connecting and disconnecting contacts

b3 =Dimensions with triple connecting contact – simple change-over - inductive

b4= Dimensions with triple disconnecting - quadruple – double change-over



安德鲁信重工江苏有限公司

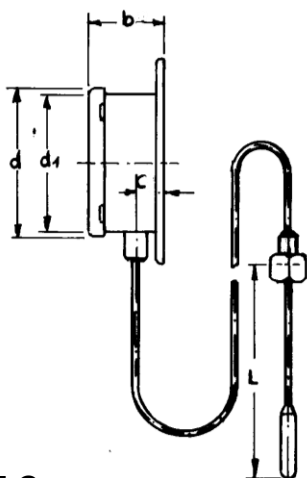
地址：江苏省江阴市澄江东路3号 电话：0510-86199978 86199979 传真：0510-86199980
 网址：www.andrewen.com www.andrewen.net 邮箱：info@andrewen

单位：毫米

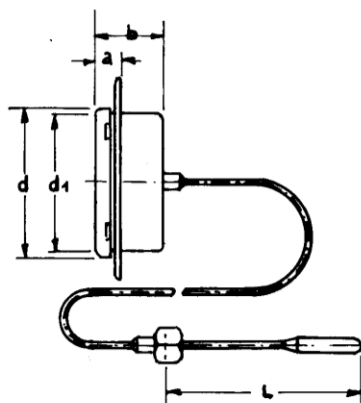
DN 80/100/150/200

REMOTE MOUNTING

TYPE A

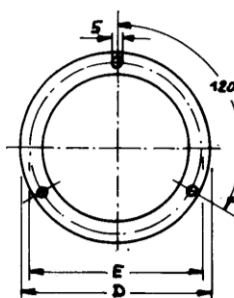
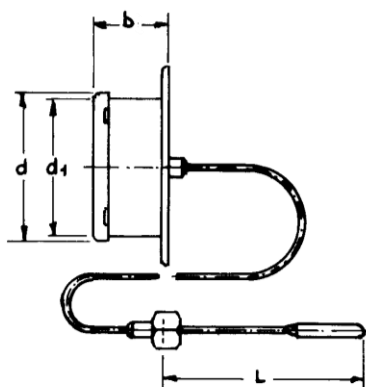


TYPE B



Also available with U-bracket for panel mounting

TYPE C



Standard connection 1/2 BSP

TYPE	b1	b2	b3	b4	c	d	d1	D	E	Std. Length
DN 80	71	X	X	X	15	90	79	110	94	100
DN 100	71	80	90	100	15	113	99	132	116	100
DS150	71	80	90	100	15	166	148	195	178	100
DN 200	71	80	90	100	15	218	200	243	220	100

b1= Dimensions with single contact

b2= Dimensions with double connecting and disconnecting contacts

b3 = Dimensions with triple connecting- single change-over- inductive

b4= Dimensions with triple disconnecting- quadruple – double change-over



安德鲁信重工江苏有限公司

地址：江苏省江阴市澄江东路3号
网址：www.andrewen.com

电话：0510-86199978 86199979
www.andrewen.net

传真：0510-86199980
邮箱：info@andrewen

技术参数

适用标准: EN 13190

公称尺寸(mm): 80, 100, 150, 200

范围: from -200 to 600°C

精度: Cl. 1 according to EN 13190

环境温度: -20+60°C

工艺流体温度: max 60°C

温度超限: 20% up to 400°C – not suitable for 500-600°C

保护等级: IP 54 according to IEC 529 - IP65 filled

表壳: 304 st.st.

密封圈: 304 st.st.

刻度盘: white aluminium, black markings.

指针: black aluminium, micrometer

adjustment 表玻璃: glass 3 mm thickness

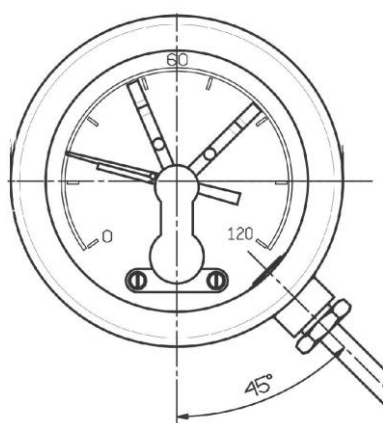
垫圈: EPDM

测量元件: Bourdon spring thermally treated

传感器元件: Nitrogen

毛细管: Steel – Stainless steel

温包: Std. Ø 9 , sensing part mm 65



Cable gland standard output for all the models.

(Type B remote connection – cable gland back output)



安德鲁信重工江苏有限公司

地址: 江苏省江阴市澄江东路3号 电话: 0510-86199978 86199979 传真: 0510-86199980
网址: www.andrewen.com www.andrewen.net 邮箱: info@andrewen

电气连接

Electric cable section 0.75 mm² with sheath secured with cable gland

Terminal IP 65 at 3 or 6 poles

Only with cable gland (without connection)

Available dimensions in mm

DN 80 - 100 - 150 - 200

(DN 80 available with single and double contacts)

Available 电触点

Single - Double - Triple - Quadruple

Single or double change over

供电技术参数

Max voltage 250 Volt

Admissible Max Load 10 W / 18 VA

Accessories

刻度盘 with double scale °C/°F

Max Pointer on the 刻度盘, adjustable from external

Inductive and 电触点

Electrical contact adjustable from the external, also watertight, window in plexiglass

Spiral capillary armoured coating Ø 7- 304 – stainless steel

Available different thermowell lengths on request, available connections 1/2 - 3/4 - 1" BSP



地址: 江苏省江阴市澄江东路3号
网址: www.andrewen.com

电话: 0510-86199978 86199979
www.andrewen.net

安德鲁信重工江苏有限公司

传真: 0510-86199980
邮箱: info@andrewen

MAX PERMISSIBLE ERRORS according to EN 13190
Suitable for bimetallic and dilatation thermometers

SCALE RANGE	测量范围	ERROR LIMIT CLASS 1
0 + 50	10...40	1
0 + 60	10...50	1
-10 + 40	-5...35	1
-20 + 40	-10...30	1
- 40 + 40	-30...30	1
-40 + 80	-30...70	2
-50 + 50	-40...40	1
- 10 + 50	0...40	1
-20 + 50	-10...40	1
-10 + 60	0...50	1
-20 + 60	-10...50	1
-20 + 80	-10...70	1
0 + 100	10...90	1
-20 + 100	-10...90	2
0 + 120	10...110	2
-10 + 120	0...110	2
-20 + 120	-10...110	2
0 + 150	10...130	2
0 + 160	10...140	2
-20 + 150	-10...130	2
0 + 200	20...180	2
0 + 250	30...220	2,5
0 + 300	30...270	5
0 + 400	50...350	5
0 + 500	50...450	5
0 + 600	100...500	10
+50 + 650	150...550	10

The error limit is stated on measuring scale and not on the range scale

When the indicating pointer is affected by the contact link add to the thermometer with electric contacts accuracy the 50% of their accuracy



安德鲁信重工江苏有限公司

地址: 江苏省江阴市澄江东路3号 电话: 0510-86199978 86199979 传真: 0510-86199980
 网址: www.andrewen.com www.andrewen.net 邮箱: info@andrewen