

# 温度压力记录仪 TM/12

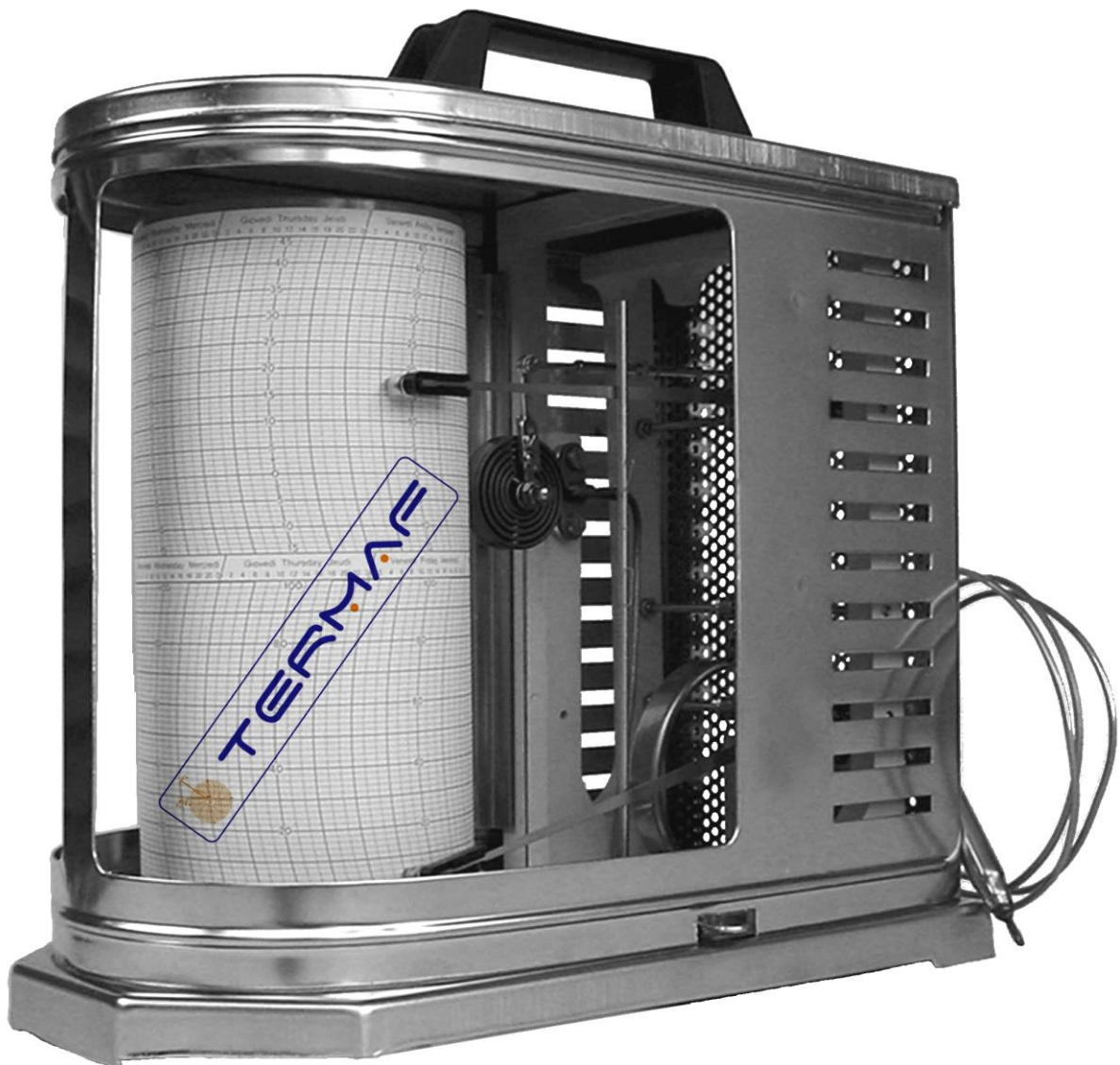
## 概述

The thermo-manograph MTS/07 is a temperature and pressure portable drum recorder.

The recorder occurs by a pen on chart paper wrapped around the drum rotated by a clock work.

The rotation and recorder can be daily or weekly, mechanical or battery.

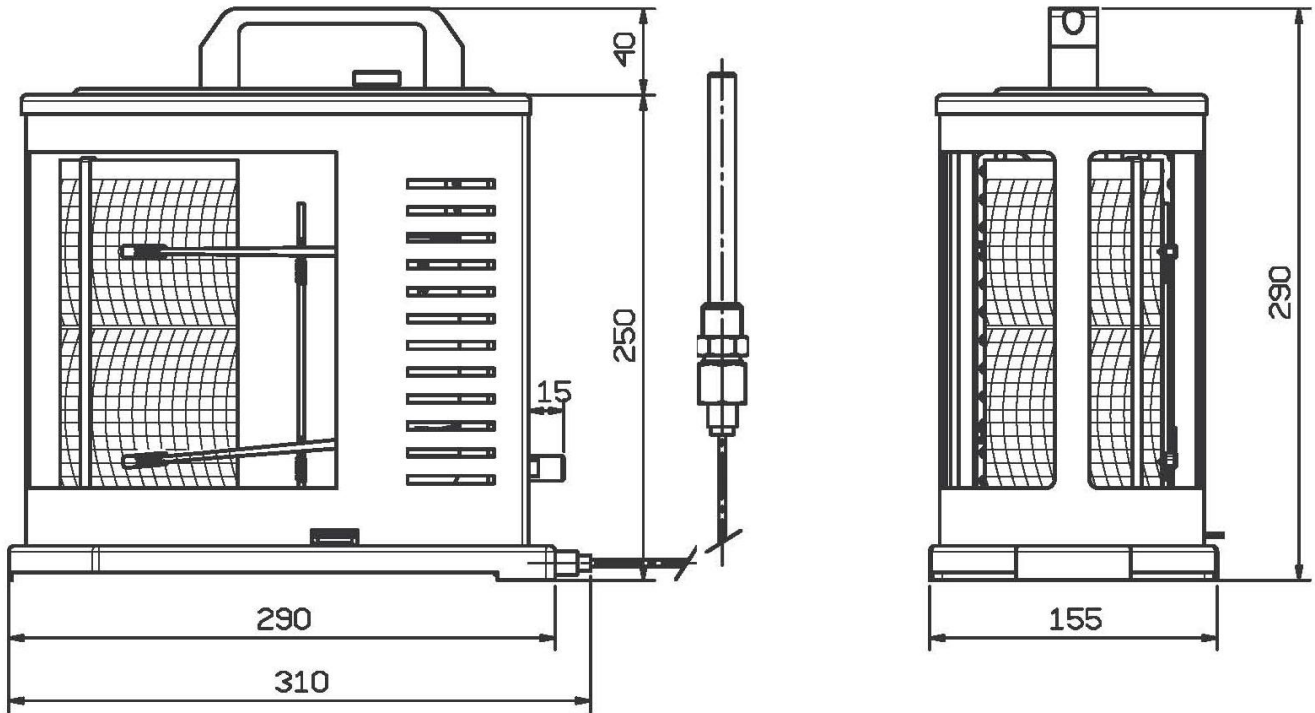
These recorders are also used for endurance test and trial in gas pipelines and aqueducts.



安德鲁信重工江苏有限公司

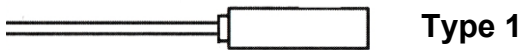
地址: 江苏省江阴市澄江东路3号 电话: 0510-86199978 86199979 传真: 0510-86199980  
网址: [www.andrewen.com](http://www.andrewen.com) [www.andrewen.net](http://www.andrewen.net) 邮箱: [info@andrewen](mailto:info@andrewen)

# 尺寸

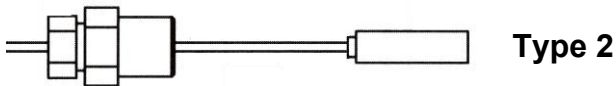


单位 mm

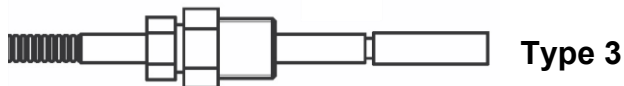
## 温包类型



Bare bulb and fitted directly to the process.



Bulb with compression connection sliding on the capillary.



Bulb with compression connection sliding on the rigid shark.

*It's necessary a thermowell connection to the systems with pressures exceeding 20 BAR.*



安德鲁信重工江苏有限公司

地址: 江苏省江阴市澄江东路3号 电话: 0510-86199978 86199979 传真: 0510-86199980  
网址: www.andrewen.com www.andrewen.net 邮箱: info@andrewen

## 技术参数

### 温度测量元件

热处理博登弹簧管

### 毛细管

316 st.st. with available protective coating 304 st.st.

### 温包

316 st st. Ø std. 11 mm.

Sensing part 100 mm

### 连接温度

Connection 1/2 BSP M. AISI 316 sliding on the capillary, available 1/2 NPT on request

### 温度精度

Class 1 according to EN 13190

### 压力测量元件

Bourdon spring 316 st.st. or phosphor bronze bellows

### 压力刻度

Available pressure scales from 60 mBar up to 1600 Bar

### 压力连接

Bottom 1 /4 BSP M. - 1/2 BSP M.

### 压力测量精度

From 1 to 1000 Bar class 1 according to EN 837-1

From 40 to 1000 mBar class 1,6 according to EN 837-3

### 环境温度

-10°C + 60°C

### 发条

Spring-loaded mechanical, battery (AA-LR6) 1.5V with quartz movement

### 图表

Sheet chart with linear scale wrapped around the clockwork drum, chart speed 10 mm/h set to daily rotation

### 表玻璃

Plexiglass



安德鲁信重工江苏有限公司

地址: 江苏省江阴市澄江东路3号 电话: 0510-86199978 86199979 传真: 0510-86199980  
网址: www.andrewen.com www.andrewen.net 邮箱: info@andrewen

## 书写系统

Synthetic fibre pen ink filled easy to replace with an autonomous writing of 150m

## 表壳和盖

304 polished stainless steel at high weatherproof and industrial smokes-resistant.

## 重量

约 3000g

## 可选发条

Battery 1,5 V. daily (29h20') - weekly (176h)
Battery 1,5 V. chart speed 5 mm/h for roll chart operating temperature -35°C
Battery 1,5 V. daily (29h20') - weekly (176h) operating temperature -35°C
Mechanical daily (29h20') - weekly (176h)
Mechanical chart speed 5 mm/h for roll chart
Mechanical 24 - 48 h chart speed 12 mm/h

## 标准测量范围

SHEET CHARTS DAILY - WEEKLY	
-10+50 0-6	-10+50 0-600
-20+60 0-40	-10+40 0-10
-40+80 0-50	-10+40 0-2,5
-20+80 0-250	-10+50 0-16
-10+40 0-1,6	-15+45 0-400
-15+45 0-100	0+60 0+40
-20+40 0-50	-10+50 0-25
0+40 0+40	



安德鲁信重工江苏有限公司

地址: 江苏省江阴市澄江东路3号 电话: 0510-86199978 86199979 传真: 0510-86199980  
网址: www.andrewen.com www.andrewen.net 邮箱: info@andrewen