

# 圆形图表压力和温度记录仪 DS 250 RT/A1 OR RP/A1

## 概述

These instruments are designed for cyclical process records or process controls in food, petrochemical, chemical and pharmaceutical industries. The RP series are studied for withstanding to the most adverse conditions that might happen due to the aggressiveness of the measured fluid and to the environment.



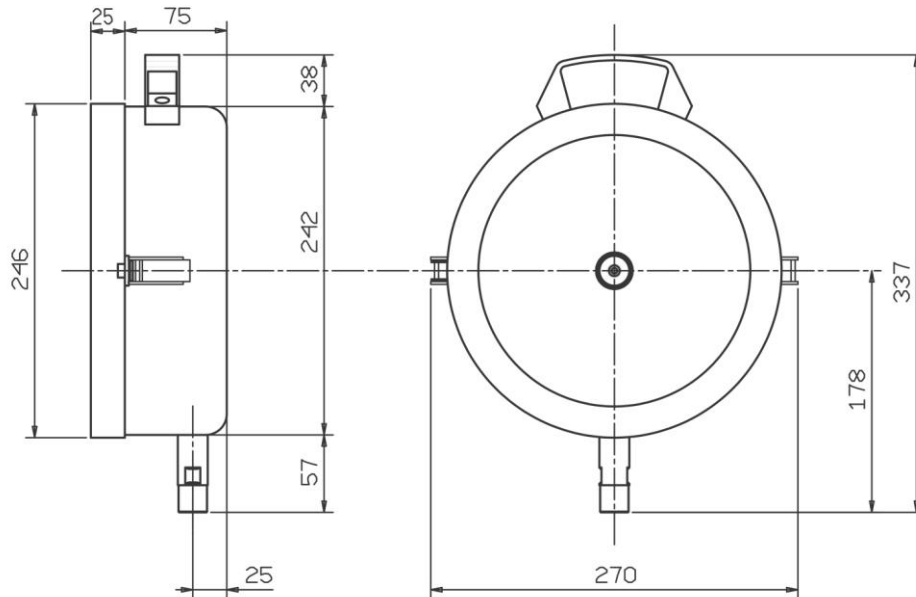
安德鲁信重工江苏有限公司

地址: 江苏省江阴市澄江东路3号 电话: 0510-86199978 86199979 传真: 0510-86199980  
网址: [www.andrewen.com](http://www.andrewen.com) [www.andrewen.net](http://www.andrewen.net) 邮箱: [info@andrewen](mailto:info@andrewen)

# 规格

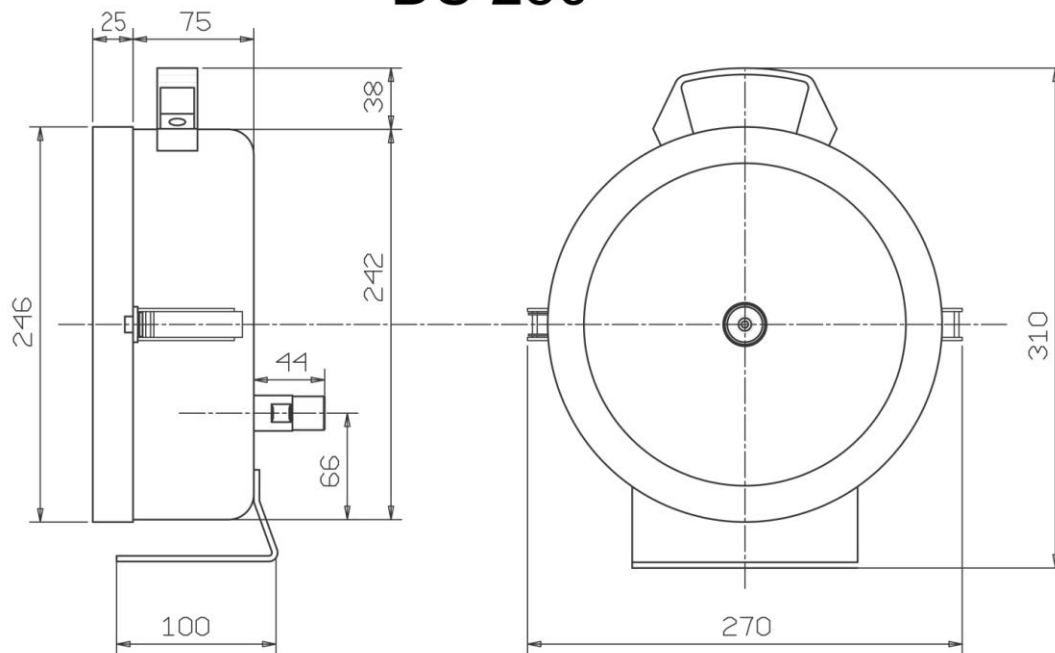
## 底部连接

### DS 250



## 支架底部连接

### DS 250



安德鲁信重工江苏有限公司

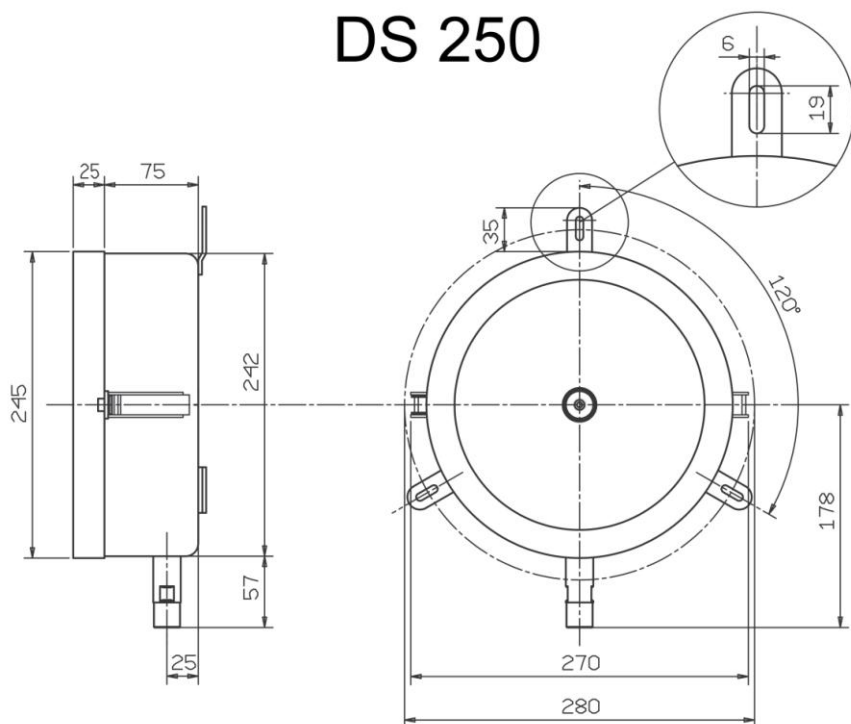
地址：江苏省江阴市澄江东路3号  
网址：www.andrewen.com

电话：0510-86199978 86199979  
www.andrewen.net

传真：0510-86199980  
邮箱：info@andrewen

# 嵌入式安装底部连接

## DS 250



单位：毫米



安德鲁信重工江苏有限公司

地址：江苏省江阴市澄江东路3号 电话：0510-86199978 86199979 传真：0510-86199980  
网址：www.andrewen.com www.andrewen.net 邮箱：info@andrewen

## 结构特点

### 温度

#### 测量元件

热处理博登弹簧管

#### 毛细管类型

316 st.st. - 2,5 mm thickness, available 304 st.st., protective coating on request

#### 温包可选项

316 st.st. Ø std. 11 mm.

Sensing Part 100 mm

#### 连接方式

Compression gland 1/2 BSP M. AISI 316 st.st. sliding on the capillary, available 1/2 NPT on request

### 压力

#### 测量元件

Bourdon spring 316 AISI st.st. or phosphor bronze bellows

#### 压力刻度

Pressure scales available from 60 mBar up to 1600 Bar, available PSI scales

#### 工艺连接

Bottom or back 1/2 BSP M. available NPT connection. Wetted parts AISI 316 st.st.



安德鲁信重工江苏有限公司

地址：江苏省江阴市澄江东路3号 电话：0510-86199978 86199979 传真：0510-86199980  
网址：www.andrewen.com www.andrewen.net 邮箱：info@andrewen

## 技术参数

### 测量精度

+/- 1% of the full scale value

### 环境温度

-20°C + 50°C

### 发条

Spring-loaded mechanical, single or double speedy, battery with quartz movement. Available also electric.

### 图表

Disc of 200 mm (8 ") with linear divisions, compatible with the most Italian producers

### 表玻璃

Toughened glass 4 mm thick

### 书写系统

Synthetic fibre pen ink-filled and easy to replace with an autonomous writing of 150 m

### 表壳

AISI 304 st.st., 1.5 mm thickness, high weatherproof and industrial smokes-resistant, equipped with the handle to facilitate the transport. Lock key on request.

### 连接类型

Bottom connection/ direct mounting or back connection with table stand. Available flush mounting on request.

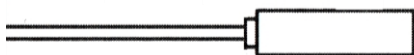


安德鲁信重工江苏有限公司

地址：江苏省江阴市澄江东路3号 电话：0510-86199978 86199979 传真：0510-86199980  
网址：www.andrewen.com www.andrewen.net 邮箱：info@andrewen

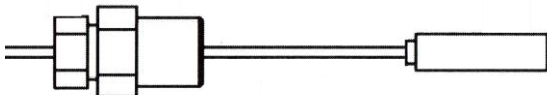
## 温包类型

### Type 1



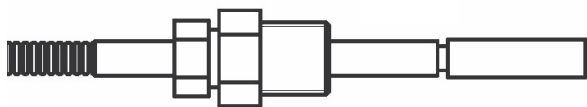
Bare bulb fitted directly to the process.

### Type 2



Bulb with compression connection sliding on the capillary.

### Type 3



Bulb with compression connection sliding on rigid shank.

*It's necessary a thermowell connection to the systems with pressures exceeding 20 BAR.*

## 可选发条

ROTATIONS	1 PEN	2 PENS	3 PENS
Battery 7 days	√	√	√
Battery 24 hours	√	√	√
Mechanical 31 days	√	X	X
Mechanical 7 days	√	√	√
Mechanical 48 h	√	√	√
Mechanical 24 h	√	√	√
Mechanical 12 h	√	√	√
Mechanical 6 h	√	√	√
Mechanical 2 h	√	√	√
Mechanical 1 h	√	√	√
Mechanical 2 h - 8 h	√	X	X
Mechanical 24 h -168 h	√	X	X



安德鲁信重工江苏有限公司

地址：江苏省江阴市澄江东路3号 电话：0510-86199978 86199979 传真：0510-86199980  
网址：www.andrewen.com www.andrewen.net 邮箱：info@andrewen

# 标准压力和温度范围

PRESSURE SCALE RANGES BAR			
0-1	0-10	0-100	0-600
0-1,6	0-16	0-160	0-1000
0-2,5	0-25	0-250	0-1600
0-4	0-40	0-300	0-1000
0-6	0-60	0-400	0-1600

PRESSURE SCALE RANGES PSI			
0-60	0-400	0-1600	0-6000
0-100	0-500	0-2000	0-10000
0-200	0-600	0-3000	0-15000
0-300	0-1000	0-5000	

TEMPERATURE SCALE RANGES °C			
-50+50	0+60	0+160	0+300
-40+40	0+100	0-200	0+400
-30+30	0+120	0+250	0+600

PRESSURE SCALE RANGES 2 BAR		
0-10 / 0-200	0-60 / 0-600	0-100 / 0-500
0-20 / 0-60	0-100 / 0-200	0-100 / 0-600
0-40 / 0-100	0-100 / 0-250	0-100 / 0-1000
0-60 / 0-100	0-100 / 0-300	

PRESSURE SCALE RANGES 2 PSI		
0-40 / 0-100	0-100 / 0-300	0-100 / 0-5000
0-60 / 0-100	0-100 / 0-500	0-100 / 0-8000
0-60 / 0-600	0-100 / 0-600	0-100 / 0-10000
0-100 / 0-200	0-100 / 0-1000	0-100 / 0-15000
0-100 / 0-250	0-100 / 0-3000	

TEMPERATURE – PRESSURE SCALE RANGES BAR		
0-60 / 0-100	0-100 / 0-300	-20+40 / 0+300
0-60 / 0-600	0-100 / 0-500	-20+40 / 0+600
0-100 / 0-40	0-100 / 0-600	-10+50 / 0-600
0-100 / 0-200	0+100 / 0+1000	-10+50 / 0+400
0-100 / 0-250	-20+40 / 0+40	-20+60 / 0+160

TEMPERATURE –PRESSURE SCALE RANGES PSI		
0-60 / 0-100	0-100 / 0-1000	-20+40 / 0+600
0-60 / 0-600	0-100 / 0-3000	-20+40 / 0-10000
0-100 / 0-40	0-100 / 0-5000	-10+50 / 0-600
0-100 / 0-200	0-100 / 0-8000	-10+50 / 0+400
0-100 / 0-250	0-100 / 0-10000	-20+300 / 0-500
0-100 / 0-300	0-100 / 0-15000	-20+300 / 0-3000
0-100 / 0-500	-20+40 / 0+40	-20+300 / 0-6000
0-100 / 0-600	-20+40 / 0+300	

TEMPERATURE SCALE RANGES 2 -3 °C		
0+40 / 0+100	0+100 / 0+300	-20+40 / 0+600
0+60 / 0+100	0+100 / 0+500	-10+50 / 0+50
0+60 / 0+600	0+100 / 0+600	-10+50 / 0-600
0+100 / 0+200	-20+40 / 0+40	-10+50 / 0+400
0+100 / 0+250	-20+40 / 0+300	-20+60 / 0+160



地址：江苏省江阴市澄江东路3号  
网址：www.andrewen.com

电话：0510-86199978 86199979  
www.andrewen.net

安德鲁信重工江苏有限公司

传真：0510-86199980  
邮箱：info@andrewen