

温度计 TT / 04

概述

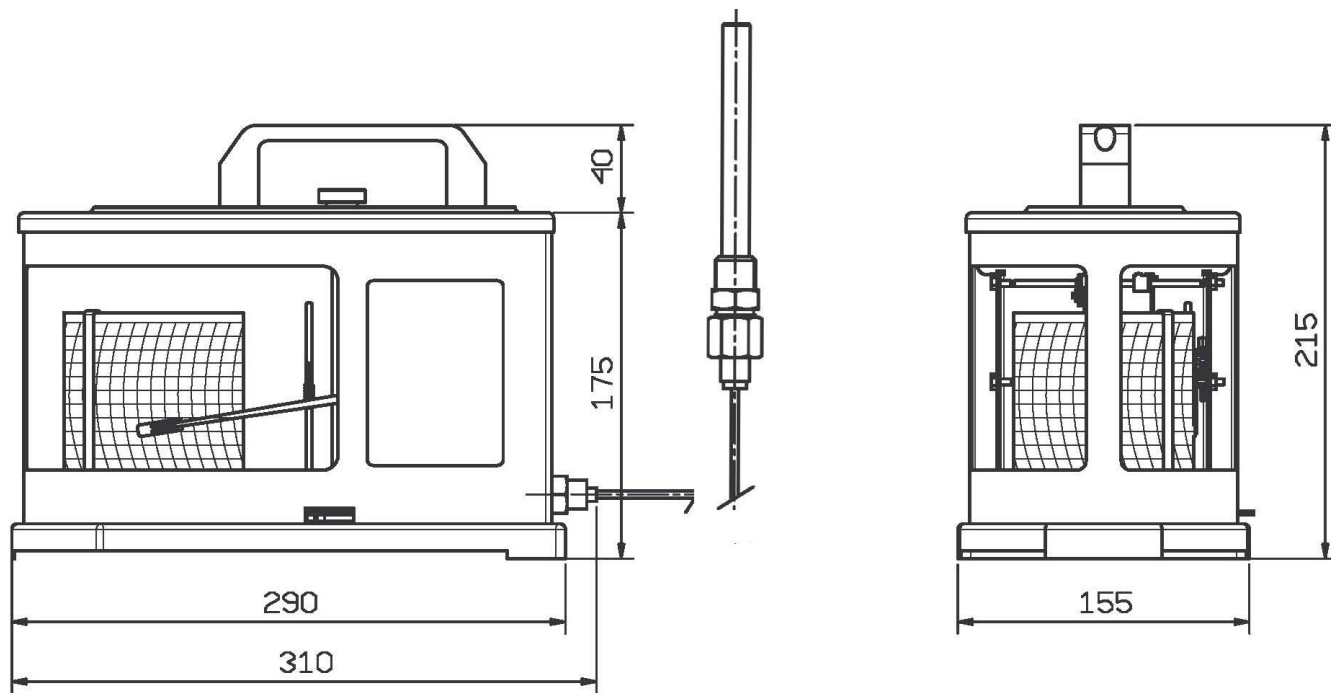
The thermograph TT/04 is a portable drum temperature recorder. The recording occurs simultaneously by pen on chart wrapped around the drum. The rotation and recorder can be daily or weekly, mechanical or battery. These recorders are also used for endurance test and trial in gas pipelines and aqueducts. Available with two pens.



安德鲁信重工江苏有限公司

地址: 江苏省江阴市澄江东路3号 电话: 0510-86199978 86199979 传真: 0510-86199980
网址: www.andrewen.com www.andrewen.net 邮箱: info@andrewen

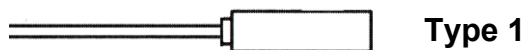
尺寸



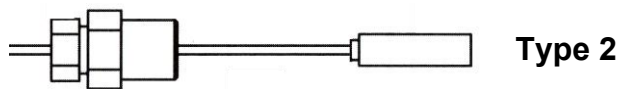
单位: 毫米

1) The thermograph TT/04 with two pens has a height of 290 mm

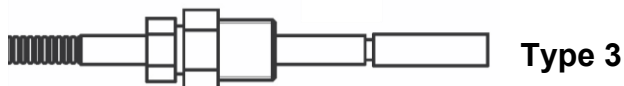
温包类型



Bare bulb and fitted directly to the process.



Bulb with compression connection sliding on the capillary.



Bulb with compression connection sliding on the rigid shark.

It's necessary a thermowell connection to the systems with pressures exceeding 20 BAR.



安德鲁信重工江苏有限公司

地址: 江苏省江阴市澄江东路3号
网址: www.andrewen.com

电话: 0510-86199978 86199979
www.andrewen.net

传真: 0510-86199980
邮箱: info@andrewen

技术参数

测量元件

热处理博登弹簧管

毛细管

316 st.st., protective coating 304 st.st.

温包

316 st.st. Ø std. 11 mm.

Sensing part 100 mm

连接件

1/2 Gas M. connection AISI 316 sliding on the capillary

Available 1/2 NPT on request

温度精度

Class 1 according to EN 13190

环境温度

-10°C + 60°C

发条

Spring-loaded mechanical, battery (AA-LR6) 1.5V with quartz movement

图表

Sheet chart wrapped around the clockwork drum, chart speed 10 mm/h set to daily rotation

表玻璃

Plexiglass

书写系统

Synthetic fibre pen ink-filled easy to replace with an autonomous writing of 150 m.

表壳和盖

304 polished stainless steel at high weatherproof and industrial smokes-resistant.

重量

2800g about



安德鲁信重工江苏有限公司

地址：江苏省江阴市澄江东路3号 电话：0510-86199978 86199979 传真：0510-86199980

网址：www.andrewen.com

www.andrewen.net

邮箱：info@andrewen

可选发条

Battery 1,5 V. daily (29h20') - weekly (176h)
Battery 1,5 V. speed 5 mm/h for roll chart – operating temperature -35°C
Battery 1,5 V. daily (29h20') - weekly (176h) – operating temperature -35°C
Mechanical daily (29h20') - weekly (176h)
Mechanical 24 - 48 h speed 12 mm/h
Mechanical speed 5 mm/h for roll chart

标准测量范围

SHEET CHARTS DAILY-WEEKLY
-35+45°C
-15+65°C
-15+45°C
-20+60°C
0+40°C
0+60°C
-10+50°C
-30+30°C

ROLL CHARTS
0+60°C
-15+65°C
-15+45°C
0+40°C
-35+45°C
-30+30°C



安德鲁信重工江苏有限公司

地址：江苏省江阴市澄江东路3号 电话：0510-86199978 86199979 传真：0510-86199980
网址：www.andrewen.com www.andrewen.net 邮箱：info@andrewen