

## 膜片密封类型 04.ALI

### 概述

These instruments are designed to isolate the sensing element of pressure gauges from process fluids which may be corrosive, viscous, sediment.

An elastic diaphragm welded and leak proof tested ensures the filling fluid separation from the process fluid.

Faced diaphragm position enables an accurate cleaning.



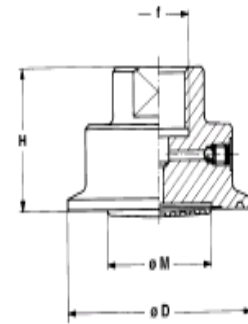
安德鲁信重工江苏有限公司

地址: 江苏省江阴市澄江东路3号 电话: 0510-86199978 86199979 传真: 0510-86199980  
网址: [www.andrewen.com](http://www.andrewen.com) [www.andrewen.net](http://www.andrewen.net) 邮箱: [info@andrewen](mailto:info@andrewen)

## DIMENSIONS

### 测量范围

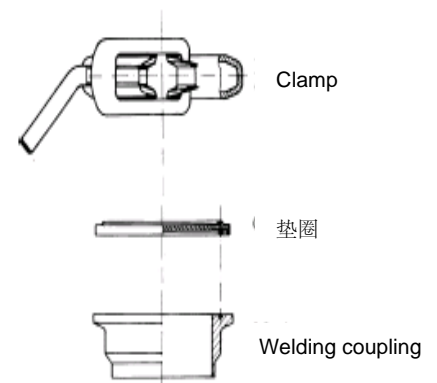
| Ø   | 1" ½ CLAMP     | 2" CLAMP       | 2" ½ CLAMP   |
|-----|----------------|----------------|--------------|
| 60  | 0/2.5 0/40 BAR |                |              |
| 80  | 0/2.5 0/40 BAR | 0/1 0/40 BAR   | 0/1 0/25 BAR |
| 100 | 0/2.5 0/40 BAR | 0/1 0/40 BAR   | 0/1 0/25 BAR |
| 150 | 0/4 0/40 BAR   | 0/2,5 0/40 BAR | 0/1 0/25 BAR |



f= available instrument connections

## TRI-CLAMP CONNECTION

| DN CLAMP | H  | D    | f           | M  |
|----------|----|------|-------------|----|
| 1" ½     | 35 | 50,5 | ¼" – ½" BSP | 30 |
| 2"       | 35 | 64   | ½" BSP      | 40 |
| 2" ½     | 35 | 77,5 | ½" BSP      | 50 |



## 技术参数

范围: from 0 .... 1,6 BAR to 0....40 BAR

工艺温度: - 20 +120 °C

工作压力: PN 60

精度: (add to instrument accuracy) ± 0,5% for direct mounting

仪表连接: AISI 316 st.st. thread 1/2 BSP F. **Diaphragm :**

AISI 316 L st.st., welded

工艺连接: AISI 316 st.st.

**Filling liquid:** oil for food industry



安德鲁信重工江苏有限公司

地址: 江苏省江阴市澄江东路3号 电话: 0510-86199978 86199979 传真: 0510-86199980  
 网址: www.andrewen.com www.andrewen.net 邮箱: info@andrewen