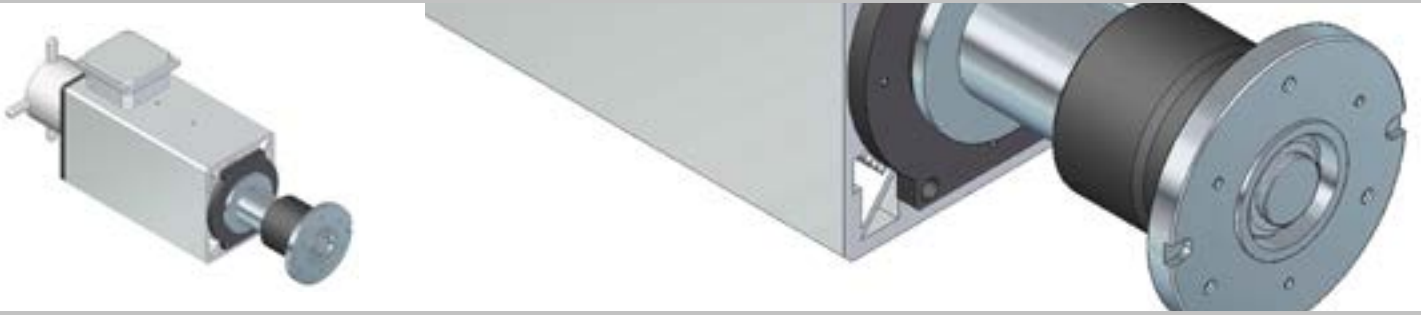
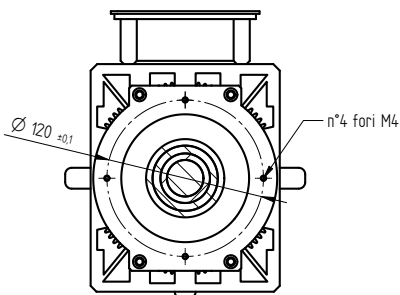
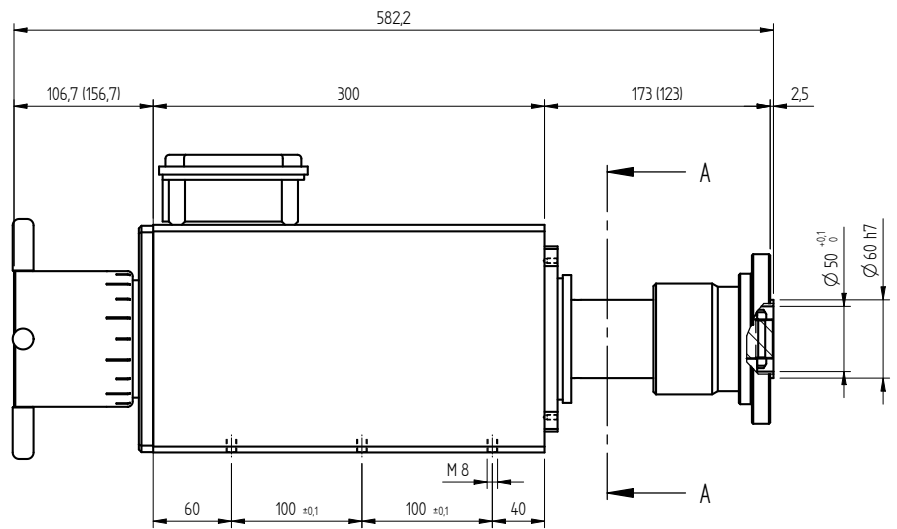
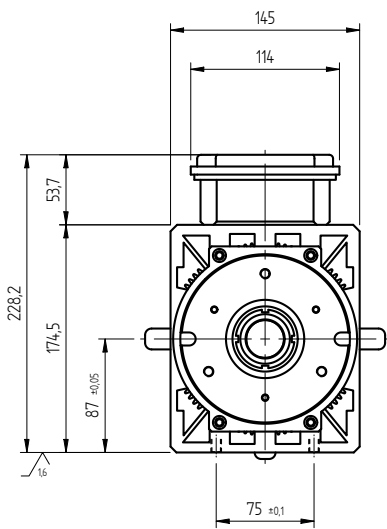


PE6 11-2 MANUAL



TYPE	VOLTAGE [Volt]	FREQUENCY [Hz]	RPM	DELIVER POWER [Kw]	ABSOR. [Amp]	Cos j	WEIGHT [Kg]
PE6 11/2	230/400	50	3000	2,30	9,5/5,5	0,70	-



SEZIONE A-A

