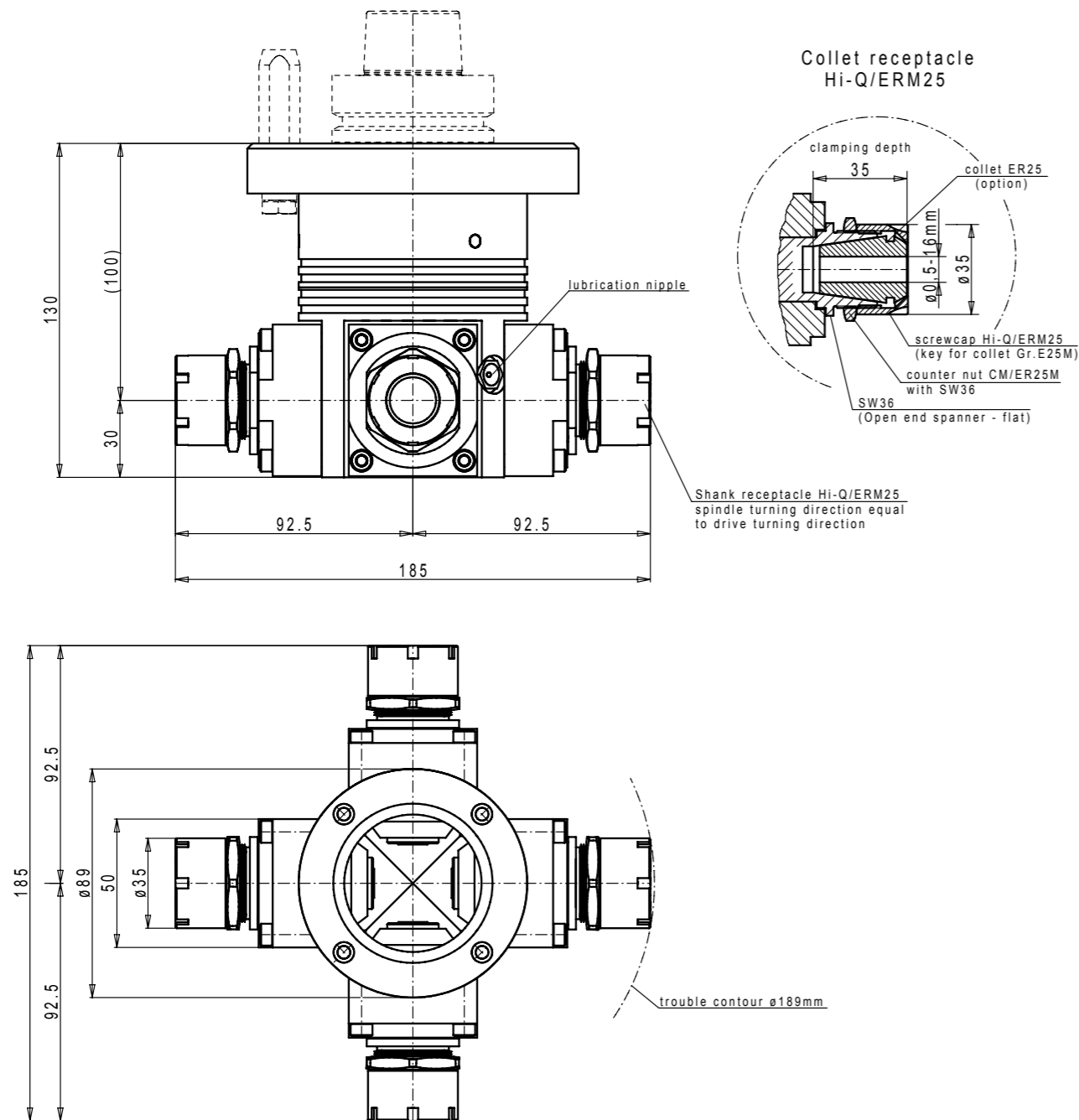


Drive adapter

Standard configurations and machine specific executions upon request



Technical features

Item Id.	EP-030646
drive turning direction	R.H./L.H.
drive speed max.	permanent operation 645 – 9.290 rpm
drive speed max.	interval operation 645 – 11.613 rpm
number of spindles	4
spindle position	horizontal
tool receptacle	Hi-Q/ERM25 DIN6499-C(8°)
gear ratio	1 : 1,55 – wheel drive
turning direction of tool receptacle	4x equal to drive turning direction
spindle speed max.	permanent operation 1.000 - 14.400 rpm
spindle speed max.	interval operation 1.000 - 18.000 rpm
drive capacity	3,0 kW
weight with drive adapter	approx. 5,70 kg

Optional accessories:

Hook-wrench E25M	Item Id. 137002
Open end spanner SW36 - flat	Item Id. 131236
Lubrication press	Item Id. 980003

The angular heads of the series G03 are equipped with up to 4 processing spindles. The spindle turning direction of all tool receptacles is always equal to the drive turning direction. The drive speed is transmitted in a ratio of 1:1,55 to the tool receptacles. The maximum spindle speed in interval operation is 18,000 rpm.

Variants on demand!

